



Light product, easy assembly and space saving with compact housing and screw design



Stronger and durable with the mechanically locked single piece design of housing



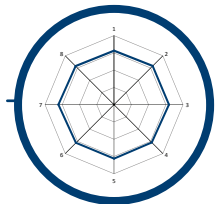
100% traceability on the product



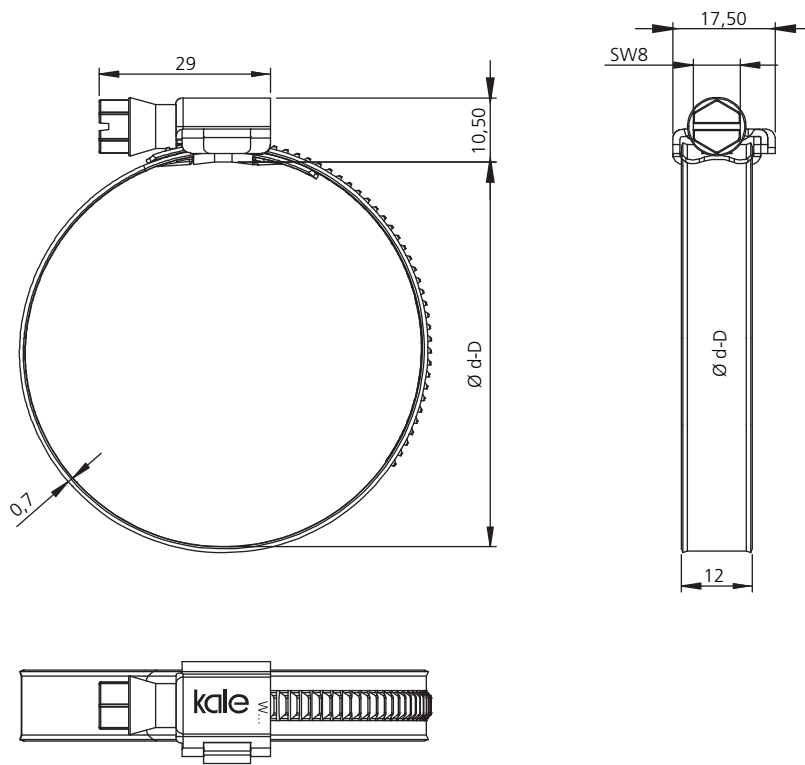
Burr-free and convex band edges



High clamping force with low tightening torque



# WD12 C8 - Technical Properties



	W3	W4	W5
<b>Screw</b>	1.4016 DIN EN-10088-3 or equivalent	1.4567 DIN EN-10088-3 or equivalent	1.4578 DIN EN-10088-3 or equivalent
<b>Housing</b>	1.4016 DIN EN-10088-2 or equivalent	1.4301 DIN EN-10088-2 or equivalent	1.4401 DIN EN-10088-2 or equivalent
<b>Band</b>	1.4016 DIN EN-10088-2 or equivalent	1.4301 DIN EN-10088-2 or equivalent	1.4401 DIN EN-10088-2 or equivalent
<b>Corrosion Resistance</b> <small>(min.Hour) ISO 9227</small>	200*	240	400
<b>Screw Head</b>			

\* : %10 red rust allowed on the total surface of W3 products, after salt spray test

Ø d - D (mm) (min - max)	AD max. (Nm)
16-25	5,0
16-27	5,0
20-32	5,0
23-35	5,0
25-40	5,0
30-45	5,0
32-50	5,0
40-60	5,0
50-70	5,0
60-80	5,0
70-90	5,0
80-100	5,0
90-110	5,0
100-120	5,0
110-130	5,0
120-140	5,0
130-150	5,0
140-160	5,0
...	...
380-400	5,0

AD: Recommended tightening torque  
Recommended tightening speed 300 - 350 rpm