



Easy mountability with Hexagon screw cap and forward positioning



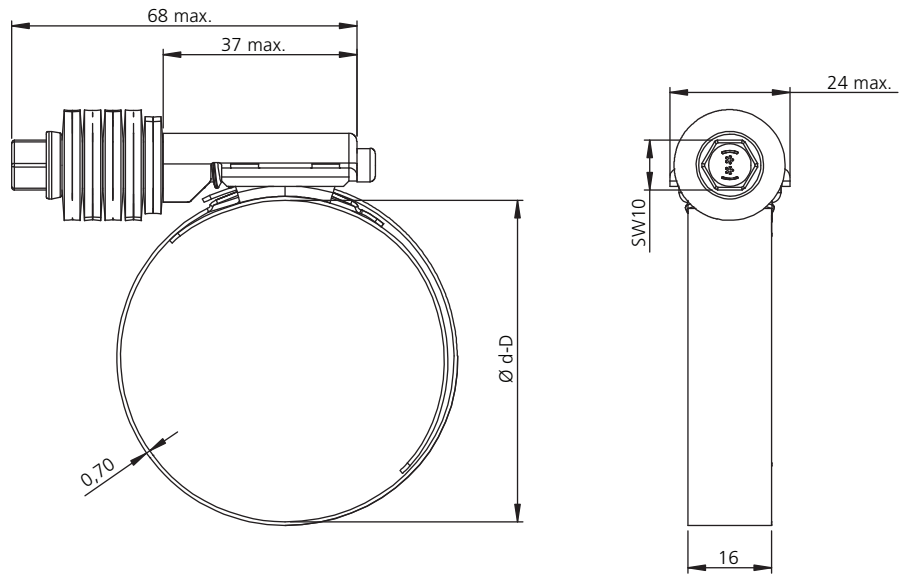
Stable clamping force with spring washers



Additional band on the inner surface for 100% hose safety



ST - Technical Properties



	W2
Screw	carbon steel *
Housing	1.4301 DIN EN-10088-2 or equivalent
Band	1.4301 DIN EN-10088-2 or equivalent
Belleville Springs	1.4310 DIN EN-10088-2 or equivalent
Saddle	1.4301 DIN EN-10088-2 or equivalent

* : Zinc coated

Ø d - D (mm) (min - max)	AD max. (Nm)
25-45	8,5
32-54	8,5
45-67	8,5
57-79	8,5
70-92	8,5
83-105	8,5
95-117	8,5
108-130	8,5
121-143	8,5
133-155	8,5
146-168	8,5
159-181	8,5
172-193	8,5
184-206	8,5
197-219	8,5
210-232	8,5

AD: Recommended tightening torque